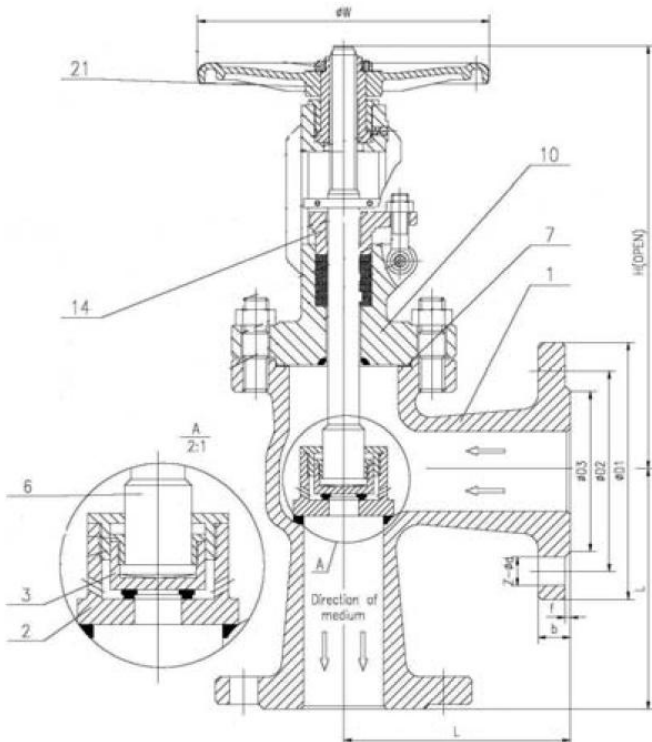


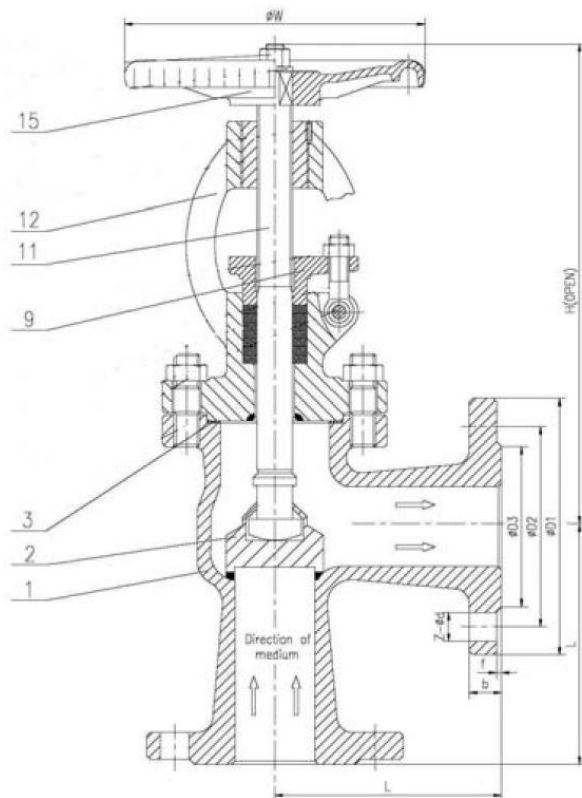
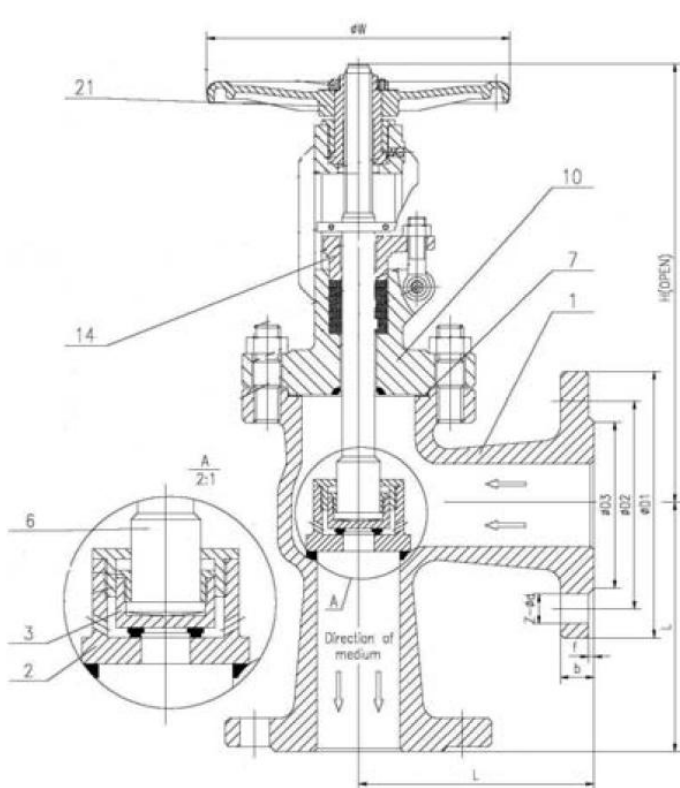
DN 15 - 50

Item	Description	Material
1	Body	EN GP240GH
2	Disc	A182
3	Gasket	Graphite
9	Gland	EN GP240GH
11	Stem	A182
12	Bonnet	EN GP240GH
15	Hand wheel	A105



DN 200

Item	Description	Material
1	Body	EN GP240GH
2	Disc	A105+13Cr
3	Disc	A105+13Cr
6	Stem	A182
7	Gasket	Graphite
10	Bonnet	EN GP240GH
14	Gland	EN GP240GH
21	Hand wheel	A536

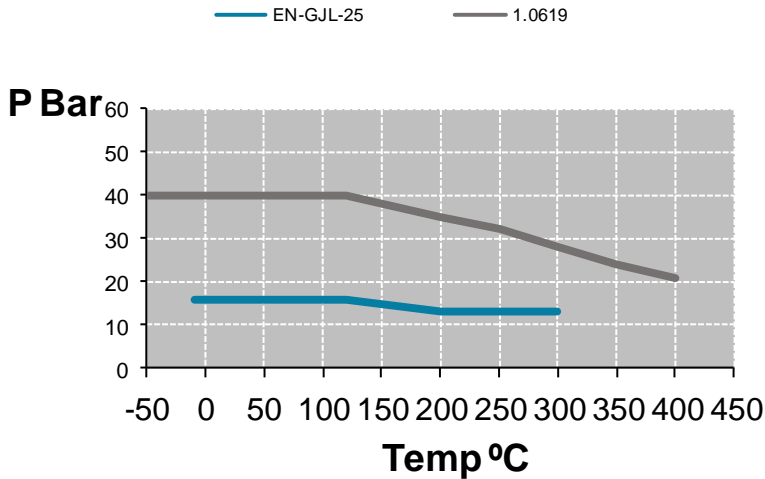


DN	D3	D2	D1	f	b	Z-d	L	H	W
15	45	65	95	2	16	4-14	90	210	120
20	58	75	105	2	18	4-14	95	222	120
25	68	85	115	2	18	4-14	100	225	160
32	78	100	140	2	18	4-18	105	260	160
40	88	110	150	3	18	4-18	115	275	200
50	102	125	165	3	20	4-18	125	286	240
65	122	145	185	3	22	8-18	145	330	280
80	138	160	200	3	24	8-18	155	358	320
100	162	190	235	3	25	8-22	175	402	360
125	188	220	270	3	26	8-26	200	442	400
150	218	250	300	3	28	8-26	225	508	450
200	285	320	375	3	34	12-30	275	730	450

(*) Dimensions in mm and weight in kg
For other sizes consult to the technical department.

General Characteristics

Figure	Material	PN
GVA40	10.619	40
DESIGN STANDARDS		
Valve Design	DIN 3840	
Flanged dimensions	EN 1092-2	
Face to Face Dimensions	EN 558-1 Series 8	
Visual Inspection	MSS SP-55	
Marking	EN 19	



Main Characteristics:

- *Asbestos Free packing and seals
- **Non-rising spinle!!*
- *Position Indicator
- *“Back” seat device!!

- Applications:**
- No corrosive or no toxic fluids
 - Steam
 - Hydrocarbons

- Options:** (On request)
- A** Throttling plug
 - B** Disc with soft seat
 - C** Throttling plug+Soft seat