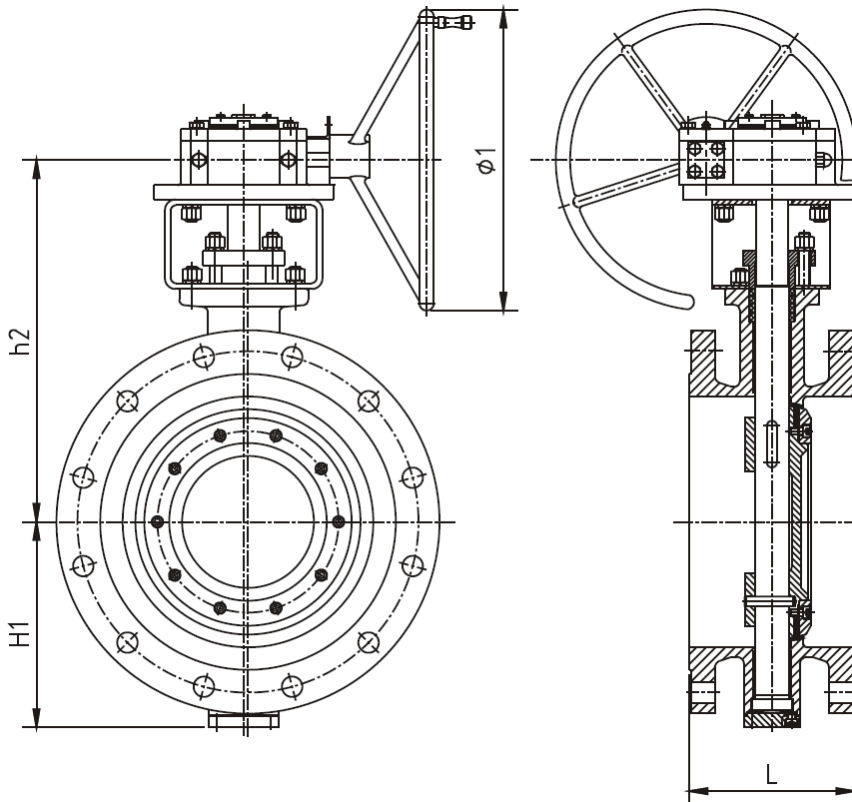
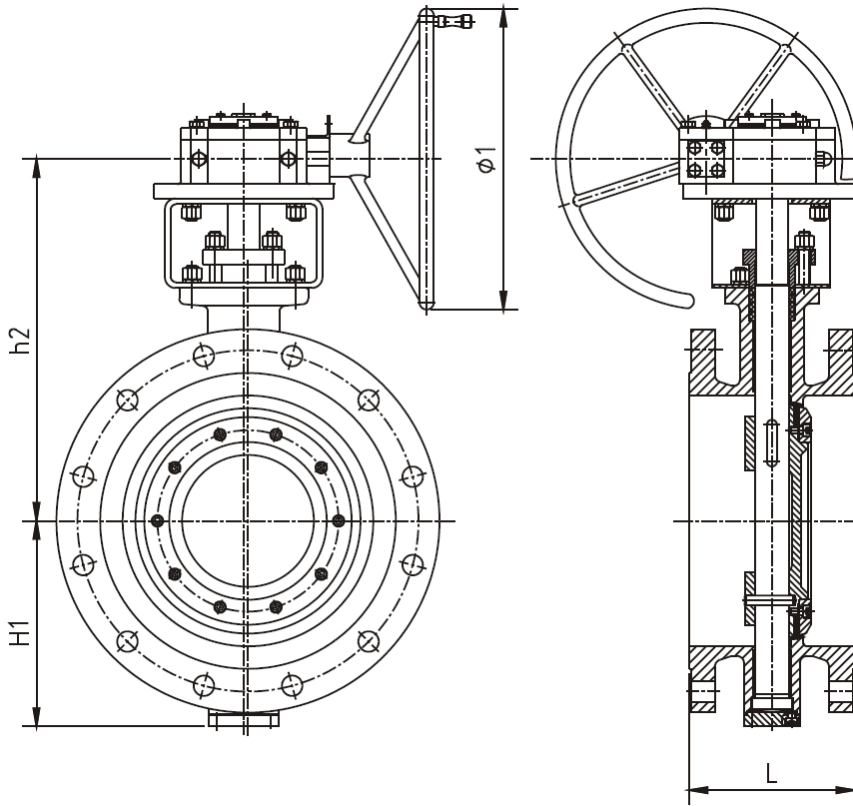




Item	Description	Part Material				
		CS	CS CF8	CS CF8M	CF8	CF8M
1	Body	WCB	WCB	WCB	CF8	CF8M
2	Disc	WCB	CF8	CF8M	CF8	CF8M
3	Stem	420	F304	F316	F304	F316
4	Seat	PTFE/ RPTFE				
7	Stem Packing	PTFE				
8	Operator	Worm Gear				





Nominal Diameter (mm)	Face to Face Length	Height from Pipe Center (mm)	Height from Pipe Center to Bottom (mm)	Hand wheel diameter (mm)	Torque (N.M.)	Cv	Top Flange ISO-No.
2" (DN50)	108	210	75	203	26	58	F07
2 1/2" (DN65)	112	220	90	203	32	109	F07
3" (DN80)	114	230	95	203	80	165	F07
4" (DN100)	127	240	115	203	142	318	F07
5" (DN125)	140	296	138	305	264	648	F10
6" (DN150)	140	310	147	305	362	932	F10
8" (DN200)	152	350	185	406	785	1970	F12
10" (DN250)	165	402	215	406	1080	2689	F14
12" (DN300)	178	455	252	508	1510	3930	F14
14" (DN350)	190	505	287	508	2458	5290	F16
16" (DN400)	216	560	317	610	2850	7726	F25
18" (DN450)	222	565	342	610	4536	9856	F25
20" (DN500)	229	605	372	610	5474	12180	F25
24" (DN600)	267	675	440	711	8240	19800	F25

(* Dimensions in mm and weight in kg
 For other sizes consult to the technical department.

Products description

1. High performance type, can be Fire-safe
2. Valve operation torque is a little lighter than Metal to Metal seal
3. Valve seat metal material can be PTFE, RPTFE, etc.
4. Disc and stem connection, there are two kinds: without pin, pin connection

Products specification

Description	Part Material
Pressure class	150LB
Valve nominal size	2"-24"
Design Standard	API609
Test Standard	API598
Connection Standard	ASME B16.5
Valve Actuator	Worm gear
Valve Connection	Wafer
Valve Structure	High performance
Water, air, oil, gas, steam, etc	