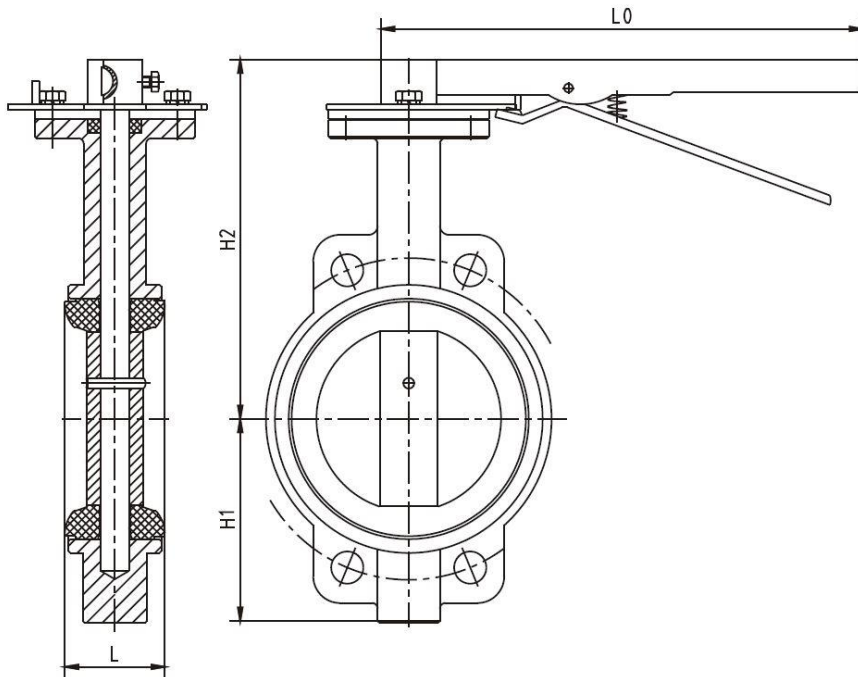
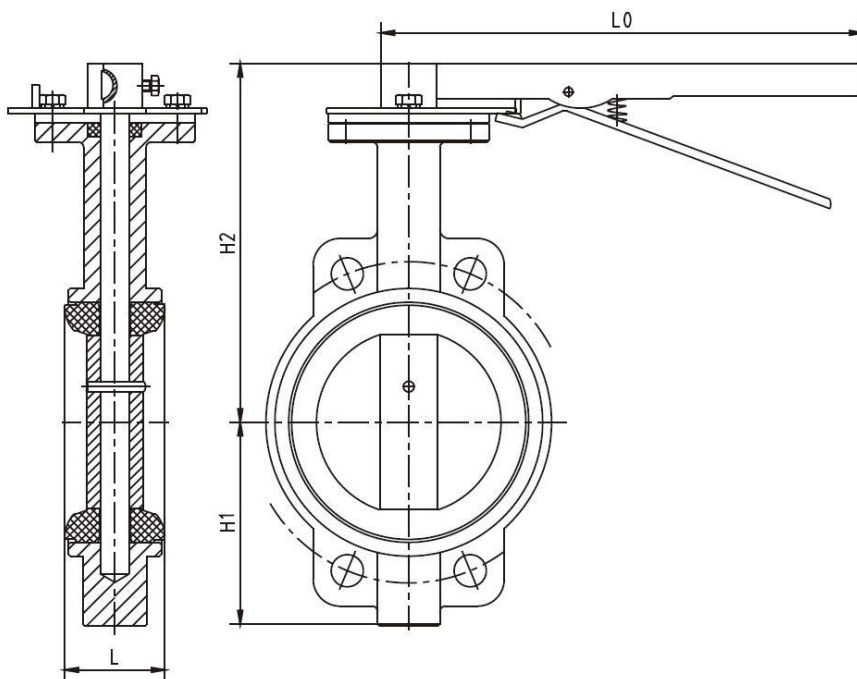




Description	Part Material						
	CI	DI	CS	CS/CF8	CS/CF8M	CF8	CF8M
Body	CI	DI	WCB	CF8	CF8M	CF8	CF8M
Disc	CI	DI	WCB	CF8	CF8M	CF8	CF8M
Stem	416	416	420	F304	F316	F304	F316
Seat	NBR/EPDM/Viton						
Stem Bushing	PTFE						
Actuator	Lever, w orm gear, pneumatic or electric actuator						



Dimensions



Nominal Diameter (mm)	Face to Face Length	H2 (mm)	H1 (mm)	L Ø (mm)	Handwheel diameter	Torque (N.M.)	Cv	Top Flange ISO-No.
50	43	165	82	275		10	130	F07
65	46	175	88	275		18	230	F07
80	46	180	97	275		25	340	F07
100	52	200	114	280		30	648	F07
125	56	215	127	290		80	1250	F07
150	56	235	140	290		110	1830	F10
200	60	280	174	390		190	3400	F10
200	60	286	174		300	190	3400	F10
250	68	275	200		300	360	5270	F10
300	78	320	225		300	760	7590	F12
350	78	360	240		355	820	10332	F12
400	102	410	300		500	1180	13727	F14
450	114	455	325		500	1320	17372	F16
500	127	510	360		600	2077	21447	F16
600	154	535	430		600	4200	30884	F16

(*) Dimensions in mm and weight in kg
 For other sizes consult to the technical department.

Products description

1. Concentric type hold real bi-direction seal effort
2. Valve max working pressure: 10 Bar
3. Valve Seat is soft ring, can be replaced
4. Disc and stem connection, there are two kinds: without pin, pin connectionç
5. There are 10 lock position for handle

Products specification

Description	Part Material
Pressure class	150LB/PN10/PN16
Valve nominal size	2"-24"
Design Standard	EN593
Test Standard	EN12266
Connection Standard	EN1092
Valve Actuator	Lever, Worm gear
Valve Connection	Wafer
Valve Structure	Central line
Water, air, oil, gas, steam, etc	