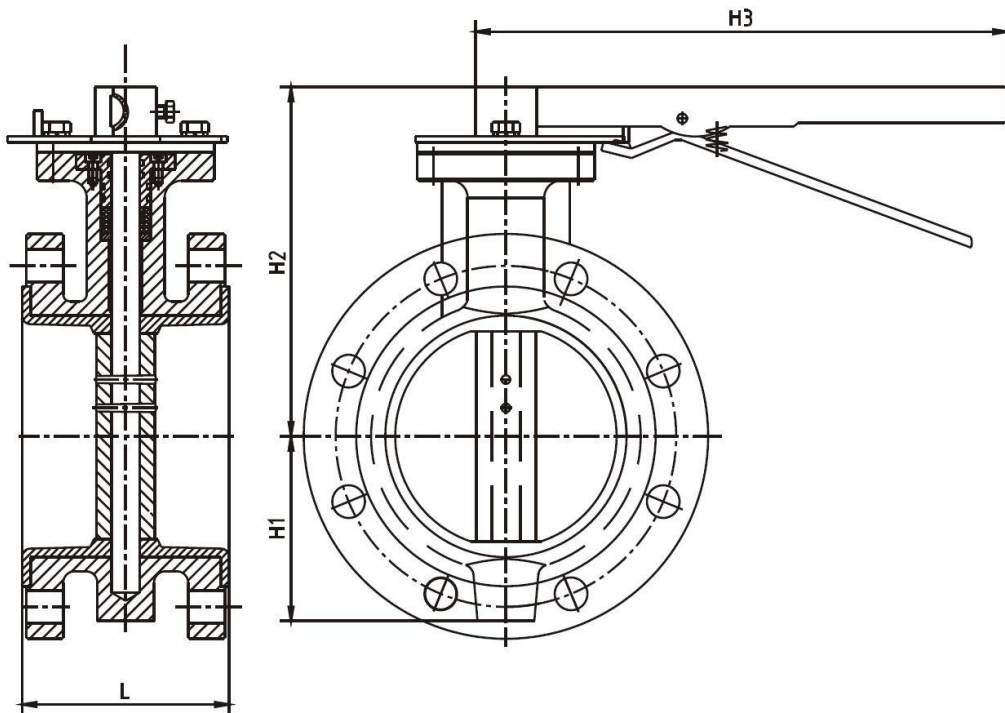
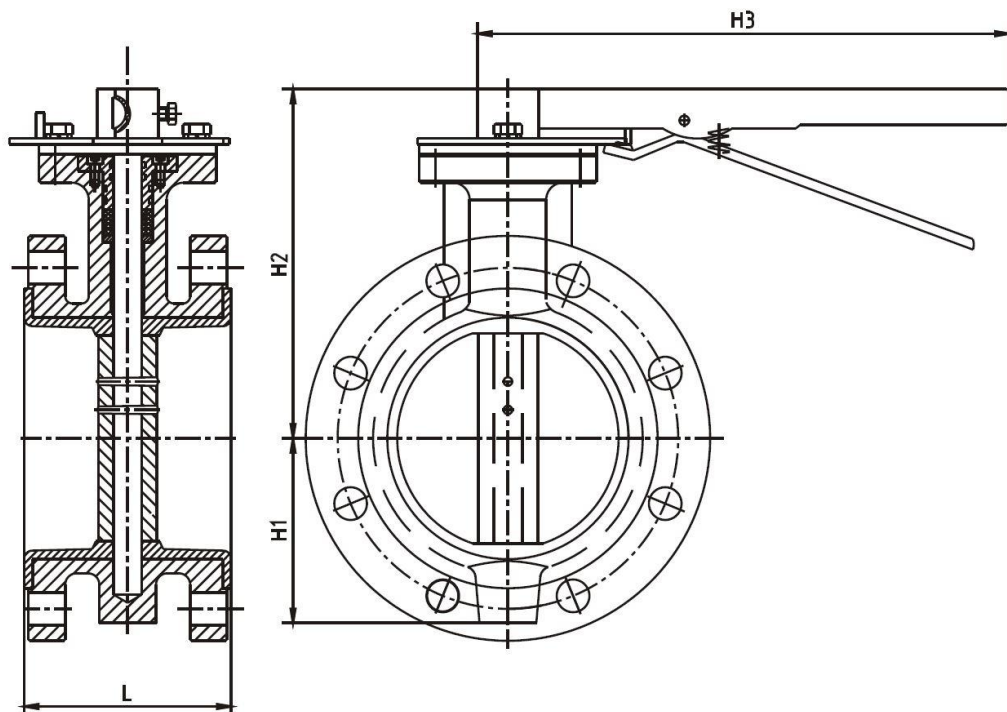




Description	Part Material						
	CI	DI	CS	CS/CF8	CS/CF8M	CF8	CF8M
Body	CI	DI	WCB	CF8	CF8M	CF8	CF8M
Disc	CI	DI	WCB	CF8	CF8M	CF8	CF8M
Stem	416	416	420	F304	F316	F304	F316
Seat	NBR/EPDM/Viton						
Stem Bushing	PTFE						
Actuator	Lever, w orm gear, pneumatic or electric actuator						





Nominal Diameter (mm)	Face to Face Length	H2 (mm)	H1 (mm)	H3 (mm)	Handwheel diameter	Torque (N.M.)	Cv	Top Flange ISO-No.
50	108	150	65	275		10	130	F07
65	112	165	80	275		18	230	F07
80	114	172	100	275		25	340	F07
100	127	178	114	280		30	648	F07
125	140	210	122	290		80	1250	F07
150	140	235	130	290		110	1830	F10
200	152	266	155	390		190	3400	F10
200	152	275	155		300	190	3400	F10
250	165	280	200		300	360	5270	F10
300	178	395	218		300	760	7590	F12
350	190	413	255		355	820	10332	F12
400	216	415	280		500	1180	13727	F14
450	222	450	305		500	1320	17372	F16
500	229	490	380		600	2077	21447	F16
600	267	550	445		600	4200	30884	F16

(*) Dimensions in mm and weight in kg
For other sizes consult to the technical department.

Products description

1. Concentric type hold real bi-direction seal effort
2. Valve max working pressure: less than 12 inch is 20 bar, other is 16 bar
3. Valve Seat is soft ring, can be replaced
4. Disc and stem connection, there are two kinds: without pin, pin connection
5. There are 10 lock position for handle

Products specification

Description	Part Material
Pressure class	PN10/PN16
Valve nominal size	2"-24"
Design Standard	EN593
Test Standard	EN12266
Connection Standard	EN1092
Valve Actuator	Lever, Worm gear
Valve Connection	Double Flange
Valve Structure	Concentric stem
Water, air, oil, gas, steam, etc	