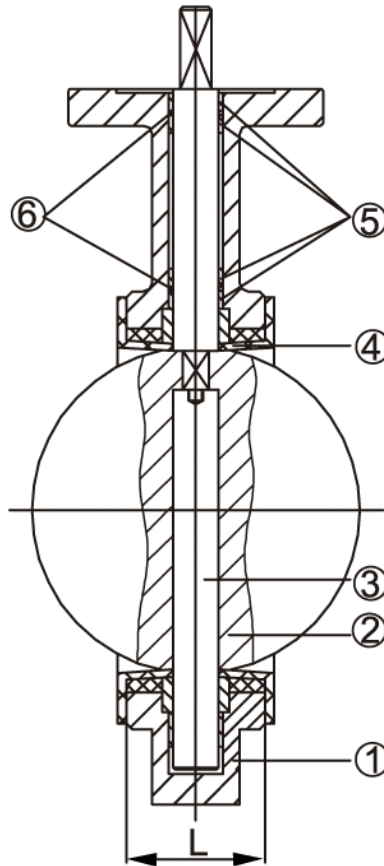
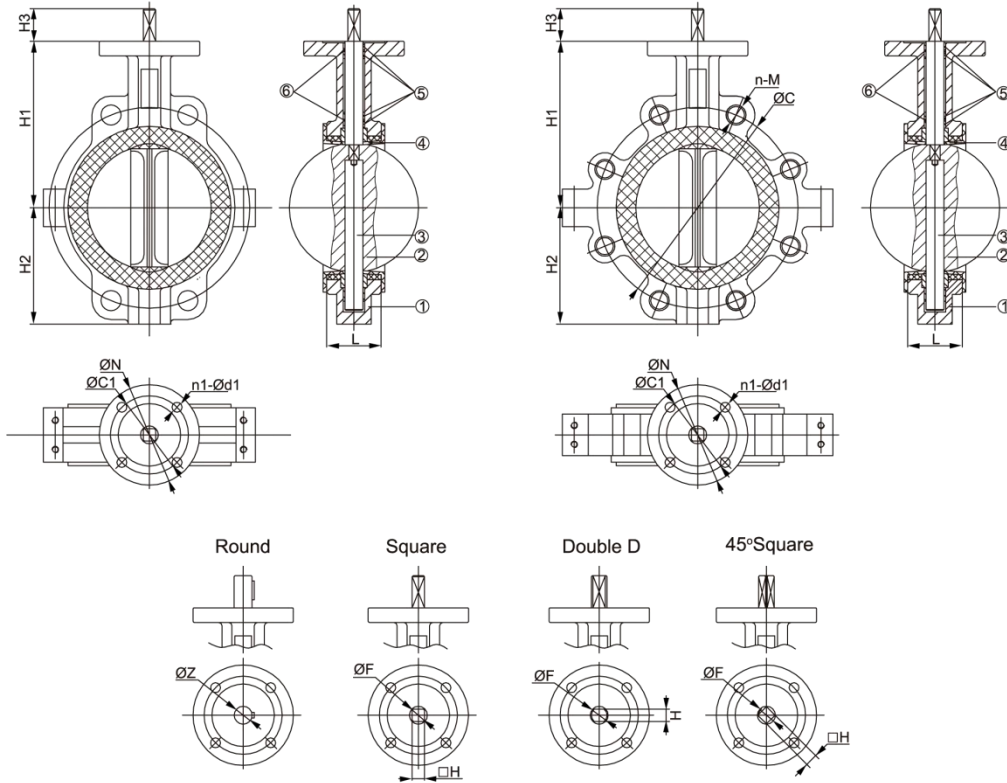




Description	Part Material	
Body	Cast iron + PTFE	A 126 Class B + PTFE
Disc	Stainless steel + PTFE	A 351 CF8M + PTFE
Stem	Stainless steel	AISI 316
Seat	PTFE	-
Bushing	PTFE	-
O Ring	EPDM	-





ND (mm)	L	H1 (mm)	H2 (mm)	H3 (mm)	ISO 5211				DIN 2501 PN16			ØZ	ØF	H
					No	ØN	ØC1	n1-Ød1	ØC	n-Ød	n-M			
40	33	128	73	29	F05	65	50	50	110	4-Ø18	4-M16	12.6	12.1	9
50	43	135	73	29	F05	65	50	50	125	4-Ø18	4-M16	12.6	12.1	9
65	46	135	80	29	F05	65	50	50	145	4-Ø18	4-M16	12.6	12.1	9
80	46	138	90	29	F05	65	50	50	160	8-Ø18	8-M16	12.6	12.1	9
100	52	158	116	29	F07	90	70	70	180	8-Ø18	8-M16	15.77	14.1	11
125	56	175	130	29	F07	90	70	70	210	8-Ø18	8-M16	18.92	18.1	14
150	56	188	148	29	F07	90	70	70	240	8-Ø22	8-M20	18.92	18.1	14
200	60	230	180	35	F10	125	102	102	295	12-Ø22	12-M20	22.1	22.1	17
250	68	270	220	35	F10	125	102	102	355	12-Ø26	12-M24	28.45	28.1	22
300	78	300	255	35	F10	125	102	102	410	12-Ø26	12-M24	31.6	28.1	22

(* Dimensions in mm and weight in kg
 For other sizes consult to the technical department.

Products description

1. Concentric type hold real bi-direction seal effort
2. Split body design
3. Its disk ensures leak-tight closing, low torque and protects the seat
4. Anti-blow and replaceable stem

Products specification

DESIGN STANDARDS	
Basic design	API 609
Mounting Pad	ISO 5211
Face to Face	API 609; EN 558-1-20 series, etc.
Flange Drilling	DIN 2501 PN10
Inspection and testing	API 598
Valve Actuator	Lever, Worm gear
Valve Connection	Wafer/ LUG/ FF
Seat	PTFE
Applications	Water, air, oil, gas, steam, etc