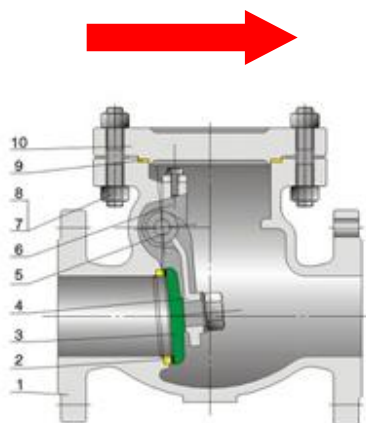


DIN EN13709





Item	Description	Material
1	Body	GSC-25, 1.4308, 1.4408
2	Seat	13%Cr, 1.4301, 1.4401
3	Obturator	GSC-25, 1.4308, 1.4408
5	Stem	13%Cr, 1.4301, 1.4401
7	Screw	193 B7, B8, B8M
9	Nut	A194-2H, 8, 8M
9	Packing	Graphite et Inox
10	Cover	GSC-25, 1.4308, 1.4408

BASIC DESIGN STANDARDS	
Basic Design	DIN EN13709
Face to face	DIN EN 558-1
Flanged dimensions	EN1092 - 2
Testing	EN 12266-1

DN	PN16			PN25			PN40			PN64		
	L	H	Kg	L	H	Kg	L	H	Kg	L	H	Kg
2" (DN)	200	125	16	230	125	17	230	125	17	300	180	37
2.½"	240	150	25	290	150	30	290	150	30	340	200	45
3" (DN)	260	160	29	310	160	34	310	160	34	380	220	55
4" (DN)	300	165	44	350	165	48	350	165	48	430	245	59
5"	350	230	68	400	230	105	400	230	105	500	300	145
6" (DN)	400	270	85	480	270	118	480	270	118	550	335	160
8" (DN)	500	355	115	600	355	160	600	355	220	650	385	255
10"	600	395	180	730	395	230	730	395	320	775	445	360
12"	700	470	270	850	470	420	850	470	450	900	520	600
14"	800	520	380	980	520	535	980	520	600	1025	565	780
16"	900	600	509	1100	600	585	1100	600	800	1150	635	1100
20"	1100	670	967	1250	670	1025	1250	670	1269	1400	750	1656