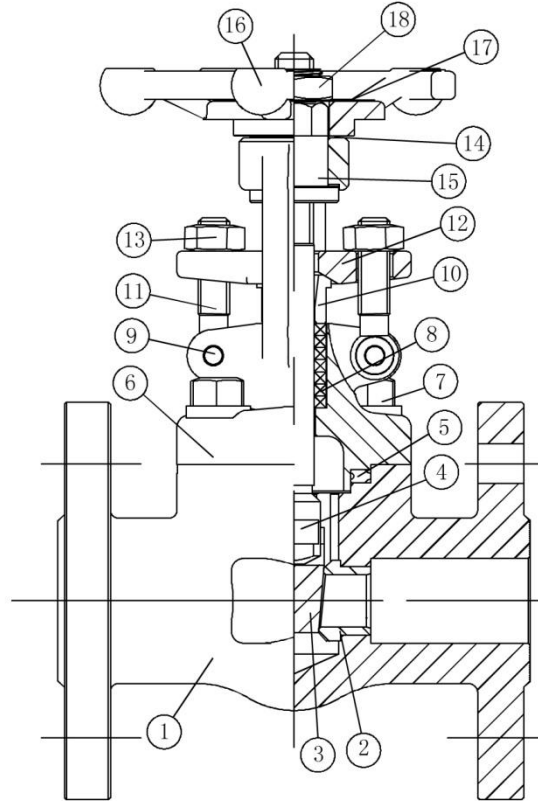


**API, MSS SP
& ASME B16.34**





Item	Description	Material	
		Carbon Steel	Stainless Steel
1	Body	A 105	A 182 F316L
2	Seat	A 182 F6A + STL	A 182 F316L + STL
3	Gate	A 182 F6A + STL	A 182 F316L
4	Stem	AISI 410	A 182 F316L
5	Gasket	AISI 304 + Graphite	AISI 316 + Graphite
6	Bonnet	A 105	A 182 F316L
7	Bolt	A 193 B7	A 193 B8M
8	Packing	Flexible Graphite + Carbon Fibre	
9	Pin	AISI 420	AISI 304
10	Packing Gland	AISI 420	AISI 316L
11	Eye Bolt	A 193 B8	A 193 B8M
12	Gland Flange	A 105	A 182 F316L
13	Hex Nut	A 194 8	A 194 8M
14	Washer	AISI 410	
15	Yoke Nut	AISI 410	
16	Handwheel	A 197	
17	Nameplate	Aluminium	
18	Hex Nut	1035 Zinc Plated	

Series C150RF (Class 150)

SIZE	L	D	T	W	H	WEIGHT
1/2" (DN 15)	108	89	11,5	100	166	3,3
3/4" (DN 20)	117	98	13	100	163	4
1" (DN 25)	127	108	14,5	125	193	6
1 1/4" (DN 32)	140	118	16	160	230	7
1 1/2" (DN 40)	165	127	17,5	160	246	10
2" (DN 50)	178	152	19,5	180	263	16

(*) Dimensions in mm and weight in kg.

Series C300RF (Class 300)

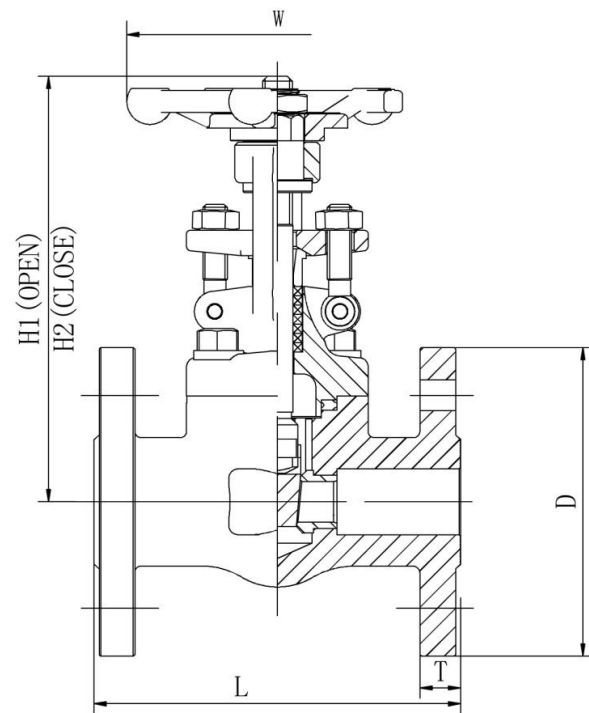
SIZE	L	D	T	W	H	WEIGHT
1/2" (DN 15)	140	95	14,5	100	166	4,8
3/4" (DN 20)	152	118	16	100	163	6,2
1" (DN 25)	165	124	17,5	125	193	9,3
1 1/4" (DN 32)	178	133	19,5	160	230	14
1 1/2" (DN 40)	190	156	21	160	246	15,5
2" (DN 50)	216	165	22,5	180	263	23

(*) Dimensions in mm and weight in kg.

Series C600RF (Class 600)

SIZE	L	D	T	W	H	WEIGHT
1/2" (DN 15)	165	95,5	14,5	100	166	4
3/4" (DN 20)	190	117,5	16	100	163	4,5
1" (DN 25)	216	124	18	125	193	7
1 1/4" (DN 32)	229	133,5	21	160	230	8
1 1/2" (DN 40)	241	156	22,5	160	246	11
2" (DN 50)	292	165,1	25,5	180	263	17

(*) Dimensions in mm and weight in kg.



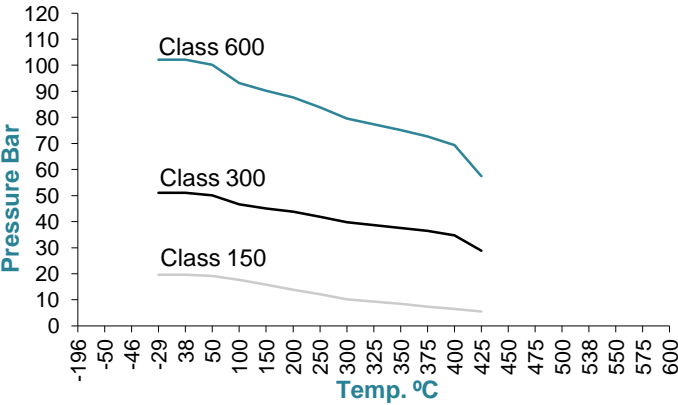
DESIGN STANDARDS			
Valves design	API 602	ASME B16.34	
Connections	ANSI B1.20.1	ANSI B16.11	
Face to face dimensions	Standard		
TESTS AND CERTIFICATES			
Quality assurance	ISO 9001		
Pressure testing	EN 12266-1		
Marking	EN 19		

Cv VALUES			
DN	Kv	DN	Kv
15 (1/2")	15	250 (10")	80
20 (3/4")	15	300 (12")	80
25 (1")	29	350 (14")	135

Pressure-Temperature Chart

A105

- A 105 600 #
- A 105 300 #
- A 105 150 #



A182 F316L

- A 182 F316L 600 #
- A 182 F316L 300 #
- A 182 F316L 150 #

