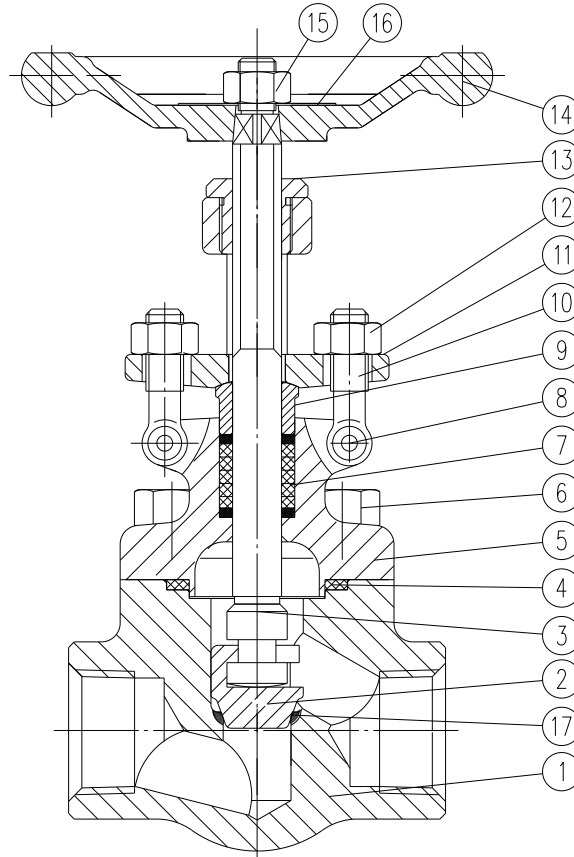
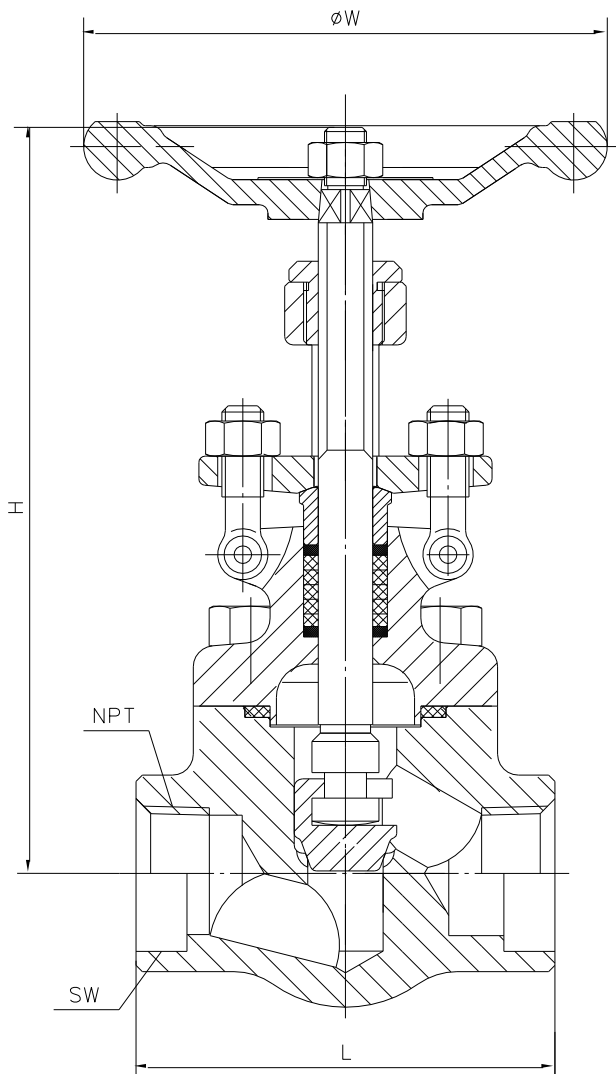


API 602, ASME B16.34 & BS 5352





Item	Description	Material	
		Carbon Steel	Stainless Steel
1	Body	A 105	A 182 F316L
2	Disc	AISI 420 + STL	A 182 F316L
3	Stem	AISI 410	A 182 F316L
4	Gasket	AISI 304 + Graphite	AISI 316 + Graphite
5	Bonnet	A 105	A 182 F316L
6	Bolt	A 193 B7	A 193 B8M
7	Packing	Flexible Graphite + Carbon Fibre	
8	Pin	AISI 420	AISI 304
9	Packing Gland	AISI 420	AISI 316L
10	Eye Bolt	A 193 B8	A 193 B8M
11	Gland Flange	A 105	A 182 F316L
12	Hex Nut	A 194 8	A 194 8M
13	Yoke Nut	AISI 410	
14	Handw heel	A 197	
15	Hex Nut	1035 Zinc Plated	
16	Nameplate	Aluminium	
17	Seat	A 105 + STL	A 182 F316L + STL



SIZE	L	NPT	øW	H	Weight
1/2" (DN 15)	79	1/2"	100	158	2,2
3/4" (DN 20)	92	3/4"	100	163	2,4
1" (DN 25)	111	1"	125	193	4,2
1 1/4" (DN 32)	120	1 1/4"	160	250	6
1 1/2" (DN 40)	152	1 1/2"	160	250	8
2" (DN 50)	172	2"	180	291	12,8

(*) Dimensions in mm and weight in kg.

DESIGN STANDARDS			
Valves design	ASME B16.34	BS 5352	API 602
Connections	ANSI B1.20.1	ANSI B 16.11	
Face to face dimensions	Manufacturer's standard		
TESTS AND CERTIFICATES			
Quality Assurance	ISO 9001		
Pressure testing	EN 12266-1		
Others	EN19		

Kv Values in m3/h			
DN	Kv	DN	Kv
15 (½")	22,3	32 (1¼")	642,7
20 (¾")	42,8	40 (1½")	1114
1" (25)	80,5	50 (2")	1970

Pressure-Temperature Chart

