

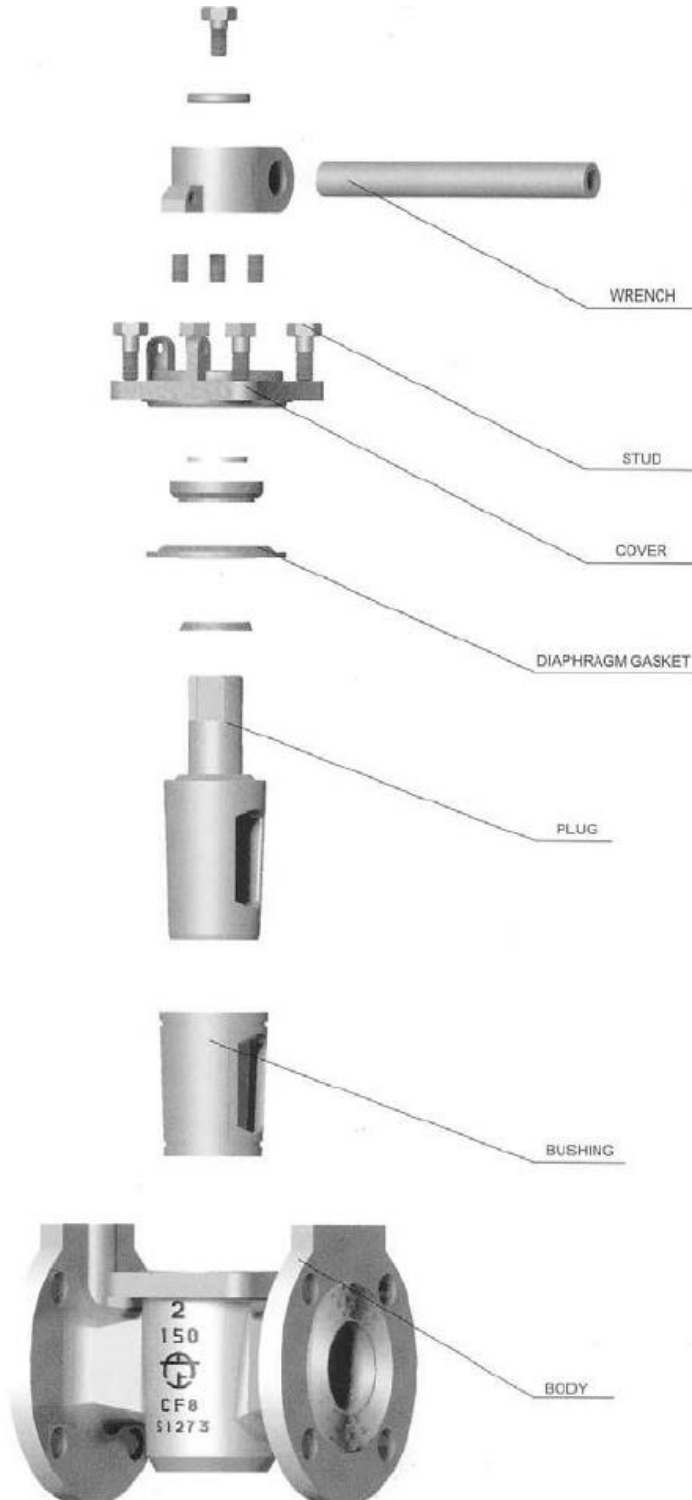


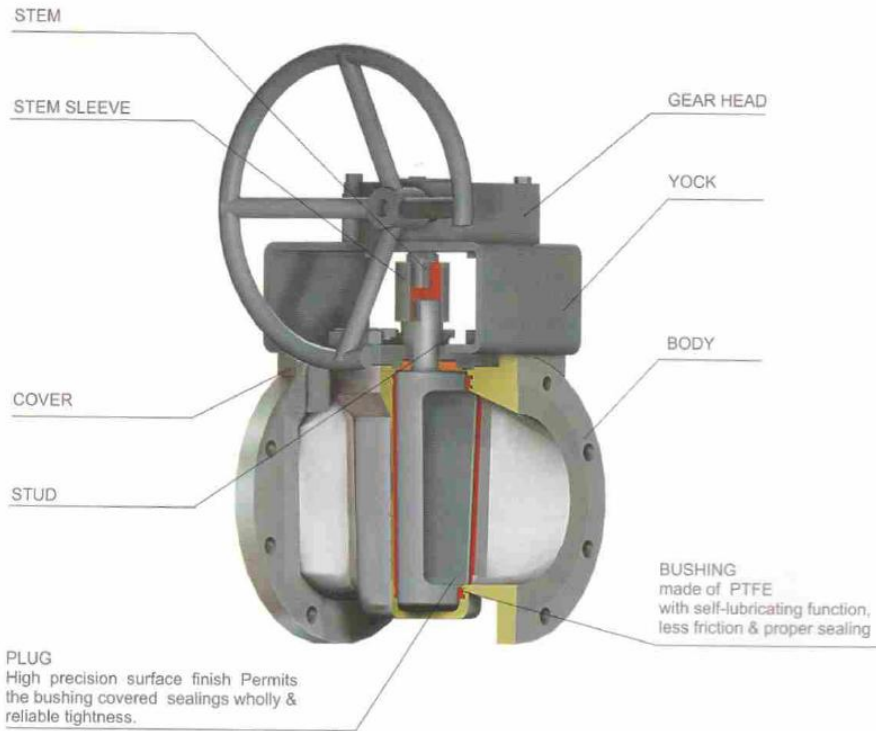
**Flanged ends**



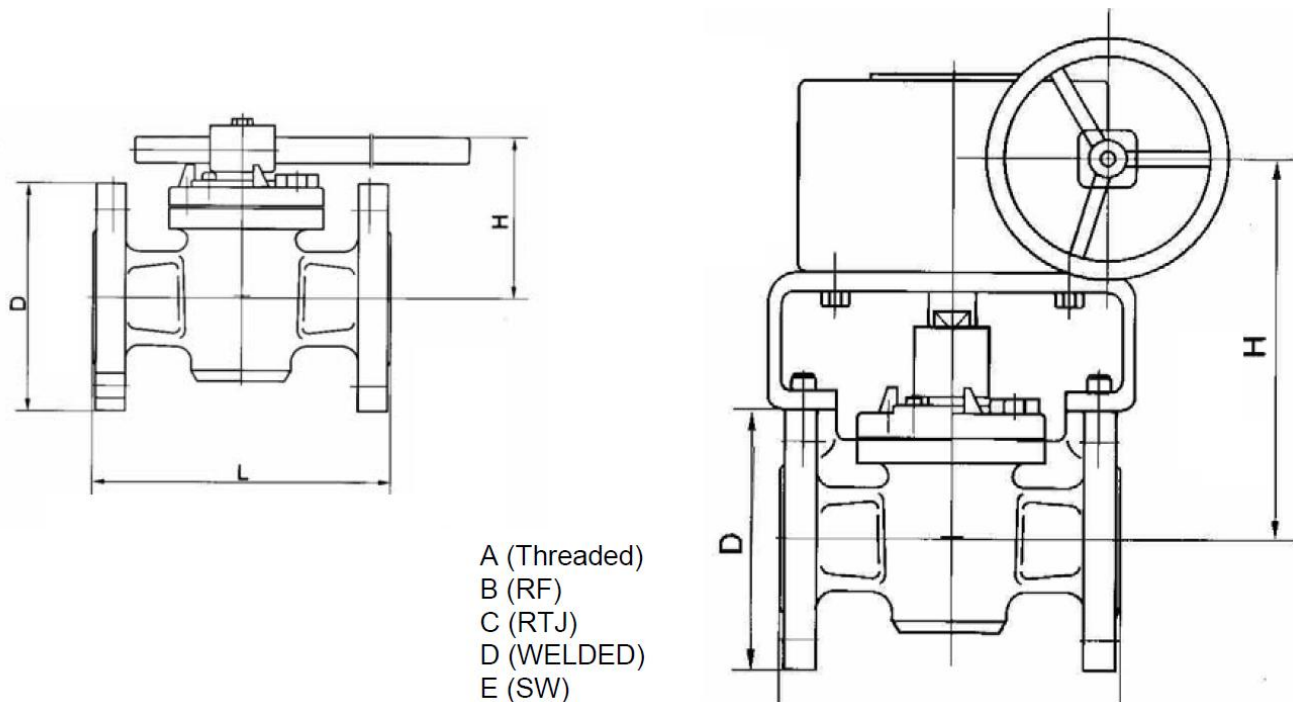
**Threaded & SW ends**





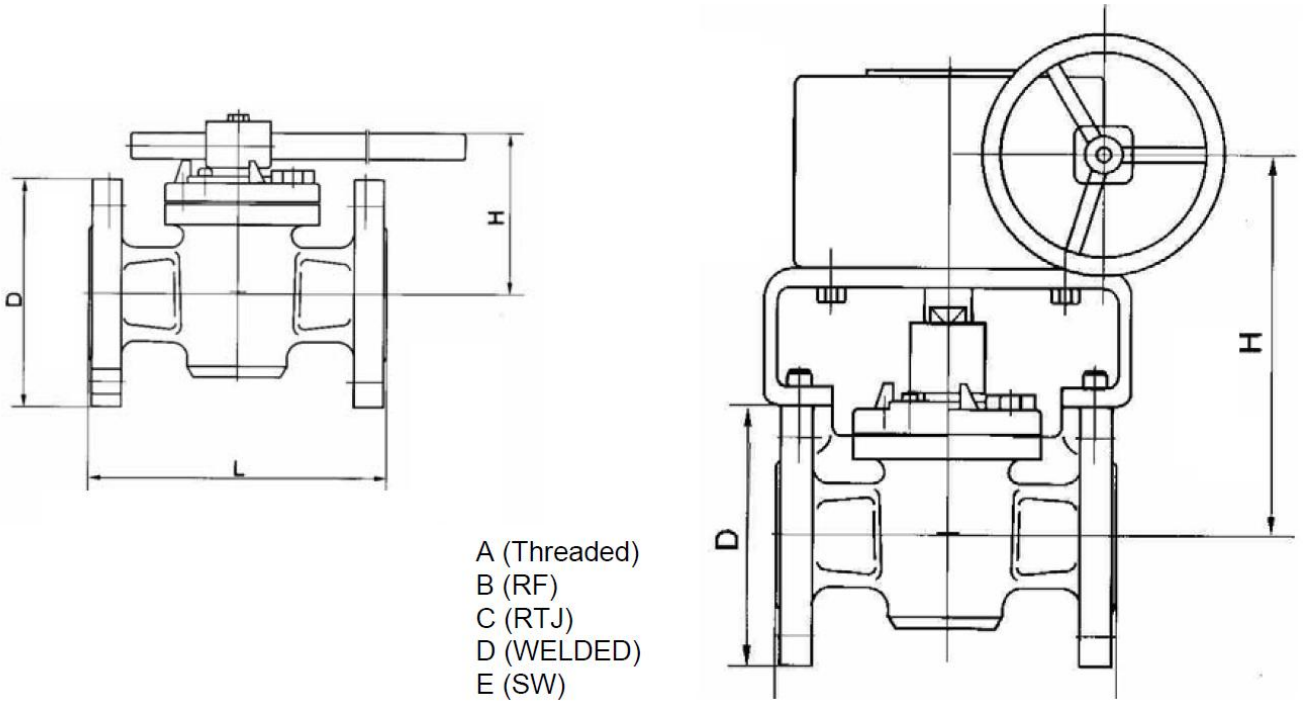


Description	Material
Body	A216 Gr WCB, A352LCB, A351 CF8, A351 CF8M, A351CF3, A351CF3M
Cover	A216 Gr WCB, A352LCB, A351 CF8, A351 CF8M, A351CF3, A351CF3M
Stem	A182F6, A182F304, A182F304L, A182F316, A182F316L
Plug	A216 Gr WCB, A352LCB, A351 CF8, A351 CF8M, A351CF3, A351CF3M
Diaphragm Gasket	PTFE
Bushing	PTFE
Bolt	A193B7, A193B8, A193B8M, A307B



Item	150 LB						
	L (A)	L (B)	L (C)	L (D)	L (E)	H	D
1/2"	115	108	108	140	345	89	92
3/4"	115	117	117	149	339	89	102
1"	119	127	140	172	364	114	108
1 1/2"	150	165	178	241	-	112	127
2"	165	178	191	267	-	228	152
2 1/2"	195	191	204	305	-	251	178
3"	254	203	216	330	-	276	190
4"	292	229	242	356	-	276	229
6"	--	268	281	457	-	318	279

DESIGN STANDARDS				
Valves design	API 6D	API 599	ASME B16.34	
End to End Dimensions	API 6D	ASME B16.10		
Pressure rating	Class 150			
TESTS AND CERTIFICATES				
Test standard	ISO 5208	API 6D	API 598	
Operated w ay	Lever	Gear	Pneumatic	Electric



Item	300 LB					
	L (A)	L (B)	L (C)	L (D)	H	D
1/2"	102	140	151	140	89	95
3/4"	102	152	165	149	89	117
1"	119	165	178	172	114	124
1 1/2"	155	191	204	241	112	156
2"	185	216	232	267	228	165
2 1/2"	250	241	257	305	251	190
3"	270	283	299	330	276	210
4"	330	305	321	356	276	254
6"	--	403	419	457	318	318

DESIGN STANDARDS			
Valves design	API 6D	API 599	ASME B16.34
End to End Dimensions	API 6D	ASME B16.10	
Pressure rating	Class 300		
TESTS AND CERTIFICATES			
Test standard	ISO 5208	API 6D	API 598
Operated w ay	Lever	Gear	Pneumatic Electric