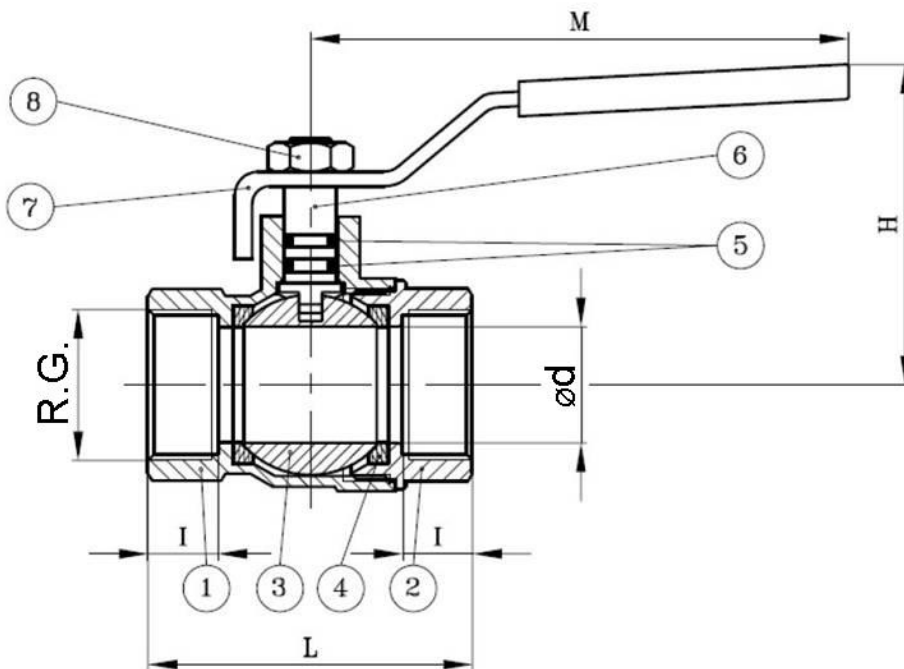
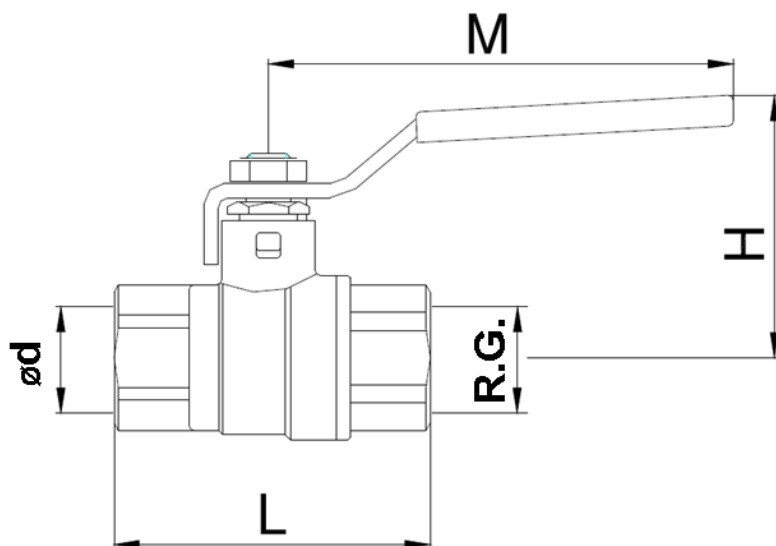


DIN 259/2999 (GAS)



Item	Description	Material of construction	Treatment
1	Body	CW617N UNIEN12165	Nickel plated
2	Union	CW617N UNIEN12165	Nickel plated
3	Ball	CW614N UNIEN12164	Polished chromed
4	Seat	PTFE	
5	O-ring	NBR	
6	Stem	CW614N UNIEN12164	
7	Lever handle	Fe	Zinc plated
8	Screw	Fe	Zinc plated





SIZE	L	M	H	WEIGHT	Ød	R. G.
1/4" (DN 10)	46	81	38	0,12	9,8	1/4"
3/8" (DN 12)	47	81	38	0,13	9,8	3/8"
1/2" (DN 15)	56,7	93	52,5	0,2	14	1/2"
3/4" (DN 20)	63,5	93	57,5	0,36	19	3/4"
1" (DN 25)	75	112	62	0,53	24	1"
1 1/4" (DN 32)	84	112	66	0,87	31	1 1/4"
1 1/2" (DN 40)	93,5	143	77	1,1	38	1 1/2"
2" (DN 50)	108	143	81,5	1,8	49	2"

Description	Technical Features
Design	EN-331
Body connectors	Forged Brass UNI EN 12165-CW617N
Brass internal	Brass Bar UNI EN-CW614N
Ball	Brass Bar UNI EN-CW614N (polished)
Threads	ISO7/1
Max. exercise temperature	0°C - 110°C (32°F-230°F)
Nominal pressure	PN30 (1/2"-2"); PN40 (3/8", 1/4")
Sizes	1/2"-2" (with lever handle) 1/2" to 1" (with T handle)

TORQUE VALUES IN Nm			
Valve size	At differential pressure	Valve size	At differential pressure
1/4" (DN 10)	2 (25 bar)	1" (DN 25)	10 (25 bar)
3/8" (DN 12)	2,7 (25 bar)	1 1/4" (DN 32)	14 (25 bar)
1/2" (DN 15)	5,4 (25 bar)	1 1/2" (DN 40)	20 (25 bar)
3/4" (DN 20)	8 (25 bar)	2" (DN 50)	33 (25 bar)

Kv VALUES in m ³ /h			
VALVE SIZE	Kv	VALVE SIZE	Kv
1/4" (DN 10)	5,2	1" (DN 25)	44,2
3/8" (DN 12)	5,6	1 1/4" (DN 32)	66,7
1/2" (DN 15)	15,6	1 1/2" (DN 40)	133,3
3/4" (DN 20)	25,1	2" (DN 50)	173,2

Pressure-Temperature

